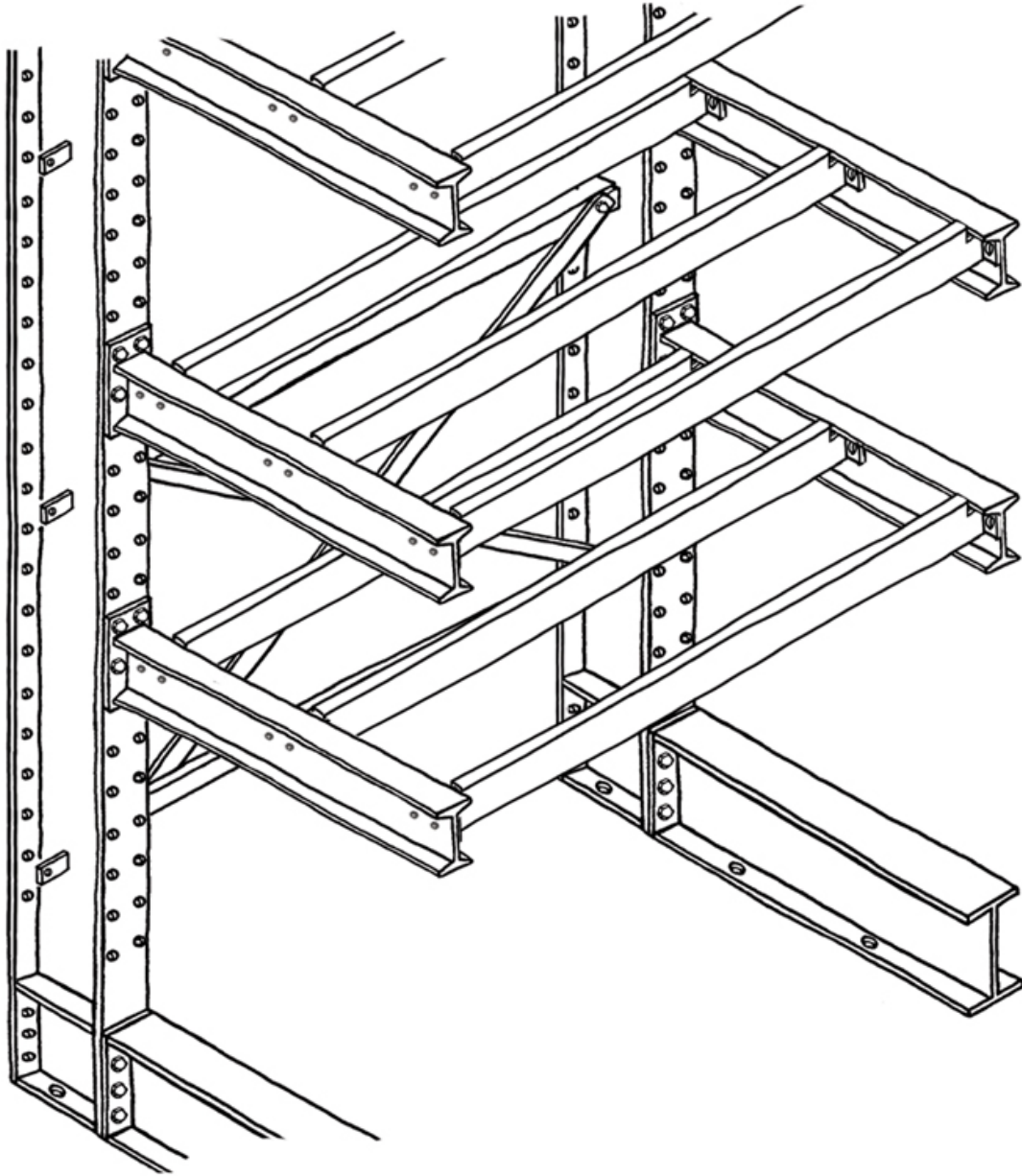


# INSTALLATION MANUAL

For the most current release of this manual,  
please visit our website at [cogan.com](http://cogan.com)

V.2015.1



<b>Product</b>	Racking
<b>Sub-product</b>	Cantilever rack shelf beam support

- Easy to install using only 4 bolts per beam.
- Different shelf style to be installed on top of the beams are available, refer to installation drawings.

Please note that whenever shelf beams are used, the cantilever arm capacities are reduced by 20%.



A Tradition of Quality Since 1901

[cogan.com](http://cogan.com)

## STEP 1

### ASSEMBLY OF SHELF SUPPORT BEAMS

Attach each shelf support beam between both arms by using structural bolts only. Refer to approval plans for the layout and quantity of shelf beam required per arm.

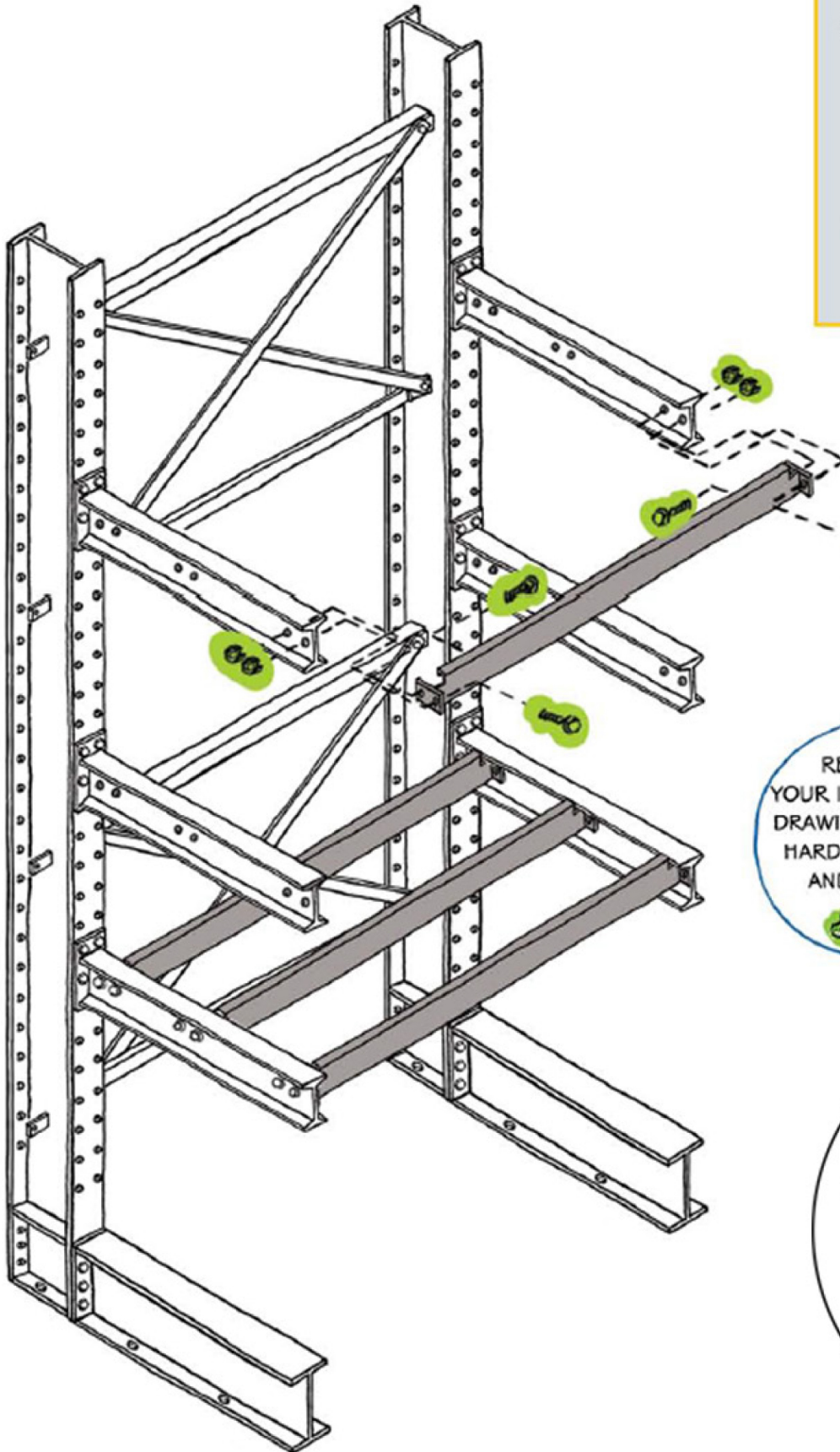
**\*\*\*BE SURE TO SECURE BOLTS THROUGH ALL REQUIRED HOLES ON THE SHELF SUPPORT BEAM CONNECTION PLATES.\*\*\***

USE ASTM A325  
STRUCTURAL BOLTS ONLY



SUGGESTED TORQUE FOR REQUIRED  
MINIMUM BOLT TENSION :  
ø3/4" Bolt : 275Ft.-Lbs  
ø5/8" Bolt : 155Ft.-Lbs  
ø1/2" Bolt : 79Ft.-Lbs

*\*\*\* Cogan recommends the periodic inspection of bolted connections using A325 structural bolts to ensure that the bolts are properly tightened.*



REFER TO  
YOUR INSTALLATION  
DRAWINGS FOR ALL  
HARDWARE SIZES  
AND DETAILS

